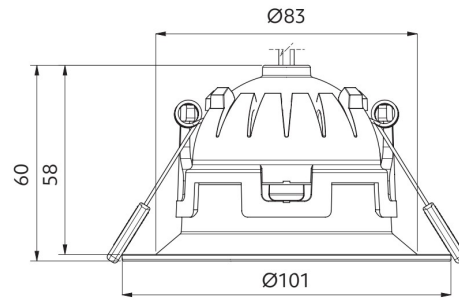


ZELA Tiltz 2 Downlight



- + fully adjustable 360° gimbal
- + suitable for indoor and exterior (soffits)
- + recessed for low glare
- + excellent beam designs
- + IP65 front



Lens

Spot lighting



Honeycomb

Anti-glare lighting



Clear glass

Task & general lighting



Prismatic

General & task lighting



Opaque

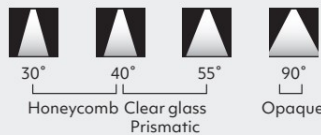
Wide angle lighting

Options

Beam angle



Lens



Honeycomb
Prismatic

Opaque

Trim colour



Textured white
RAL 9016

Textured black
B104

CCT



¹ Sunset Dimming is available in 30°, 40° and 55° in Professional series.
² Tunable White is available in 20°, 30°, 40°, and 55° in Art series.

CRI

Professional series (P) CRI 90-94 Art series (A) CRI 95-98

Driver

Phase cut dim (standard)
DALI 2 tunable white (TW) / Dimming
SLiC Casambi TW / Dimming

Use with

ZELA adapter plates for retrofit installations

Product information

(example: Prismatic, 40°, 3000K, CRI 90, phase cut driver)

Driver (mA)	Power (W)	Delivered lumens (lm)	Insulation coverable		
			NZ	AU	UK/EU
100	4.3	400	IC-F	IC-4	✓
150	6.4	570	IC-F	IC-4	✓
180	7.7	660	IC-F	IC-4	✓
220	9.4	780	IC-F	IC-4	✓
260	11.1	880	IC-F	IC-4	✓
300	12.8	980	CA135	CA90	✓



*Specification is for ceiling material ≤ 13mm with a phase cut driver.



Get in touch

U4 / 61-71 Beauchamp Rd,
Matraville NSW 2036

02 9317 4177
0425 350 698

sales@tecled.com.au
Victoria@tecled.com.au

Follow us





ZELA look-up table

CCT	Driver Power*	ICF	Lens						Honeycomb				Prismatic				Clear glass				Opaque	
			9° Lens		15° Lens		20° Lens		30° Honeycomb		40° Honeycomb		40° Prismatic		55° Prismatic		40° Clear		55° Clear		90° Opaque	
			CRI	Lm	CRI	Lm	CRI	Lm	CRI	Lm	CRI	Lm	CRI	Lm	CRI	Lm	CRI	Lm	CRI	Lm	CRI	Lm
2400K	4.3W / 100mA	ICF	-	-	-	-	90	340	90	260	90	240	90	360	90	340	90	360	90	340	90	310
	6.4W / 150mA	ICF	-	-	-	-	90	490	90	370	90	340	90	510	90	490	90	510	90	490	90	440
	7.7W / 180mA	ICF	-	-	-	-	90	570	90	430	90	400	90	600	90	570	90	600	90	570	90	520
	9.4W / 220mA	ICF	-	-	-	-	90	670	90	510	90	470	90	700	90	670	90	700	90	670	90	610
	11.1W / 260mA	ICF	-	-	-	-	90	760	90	570	90	540	90	800	90	760	90	800	90	760	90	690
2700K	4.3W / 100mA	ICF	97	280	90	300	90	360	97	340	90	260	90	380	90	370	90	380	90	370	400	330
	6.4W / 150mA	ICF	97	390	90	440	90	520	97	480	90	390	90	550	90	520	90	550	90	520	570	470
	7.7W / 180mA	ICF	97	460	90	510	90	600	97	560	90	460	90	640	90	610	90	640	90	610	660	550
	9.4W / 220mA	ICF	-	-	90	600	90	710	97	650	90	540	90	750	90	720	90	750	90	720	780	650
	11.1W / 260mA	ICF	-	-	90	680	90	810	97	740	90	610	90	850	90	820	90	850	90	820	880	730
3000K	4.3W / 100mA	ICF	97	290	90	320	90	380	97	340	90	290	90	400	90	380	90	400	90	380	90	340
	6.4W / 150mA	ICF	97	410	90	450	90	540	97	490	90	410	90	570	90	550	90	570	90	550	90	490
	7.7W / 180mA	ICF	97	470	90	530	90	630	97	570	90	480	90	660	90	640	90	660	90	640	90	570
	9.4W / 220mA	ICF	-	-	90	620	90	740	97	670	90	560	90	780	90	750	90	780	90	750	90	670
	11.1W / 260mA	ICF	-	-	90	700	90	880	97	800	90	640	90	880	90	850	90	880	90	850	90	760
4000K	4.3W / 100mA	ICF	97	300	90	330	90	400	97	360	90	300	90	420	90	400	90	420	90	400	90	360
	6.4W / 150mA	ICF	97	430	90	480	90	570	97	520	90	430	90	600	90	570	90	600	90	570	90	520
	7.7W / 180mA	ICF	97	500	90	550	90	660	97	600	90	500	90	700	90	670	90	700	90	670	90	600
	9.4W / 220mA	ICF	-	-	90	650	90	780	97	710	90	590	90	820	90	780	90	820	90	780	90	710
	11.1W / 260mA	ICF	-	-	90	740	90	880	97	800	90	670	90	930	90	890	90	930	90	890	90	800
Sunset Dimming 3000K-1850K	6.4W / 150mA	ICF	-	-	-	-	-	-	90	310	90	280	90	460	90	450	90	460	90	450	-	-
	7.7W / 180mA	ICF	-	-	-	-	-	-	90	360	90	320	90	530	90	520	90	530	90	520	-	-
	9.4W / 220mA	ICF	-	-	-	-	-	-	90	420	90	380	90	600	90	610	90	600	90	610	-	-
	11.1W / 260mA	ICF	-	-	-	-	-	-	90	480	90	430	90	710	90	690	90	710	90	690	-	-
Tunable White 4000K-1800K	4.6W / 100mA	ICF	-	-	-	-	95	270	95	200	95	200	95	270	95	270	95	270	95	270	-	-
	6.9W / 150mA	ICF	-	-	-	-	95	380	95	290	95	280	95	390	95	390	95	390	95	390	-	-
	8.3W / 180mA	ICF	-	-	-	-	95	440	95	340	95	330	95	450	95	460	95	450	95	460	-	-
	10.1W / 230mA	ICF	-	-	-	-	95	520	95	400	95	390	95	530	95	540	95	530	95	540	-	-
	11.9W / 260mA	ICF	-	-	-	-	95	590	95	450	95	440	95	600	95	610	95	600	95	610	-	-



Get in touch

Follow us

U4 / 61-71 Beauchamp Rd,
Matraville NSW 2036

02 9317 4177
0425 350 698

sales@tecled.com.au
Victoria@tecled.com.au

